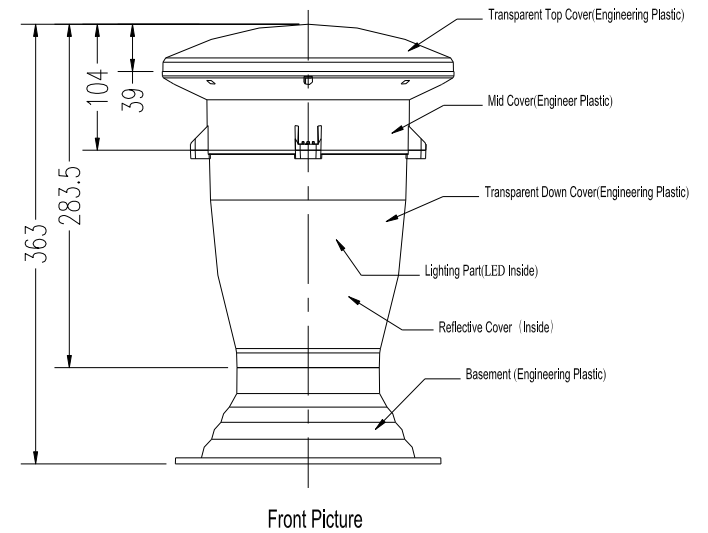
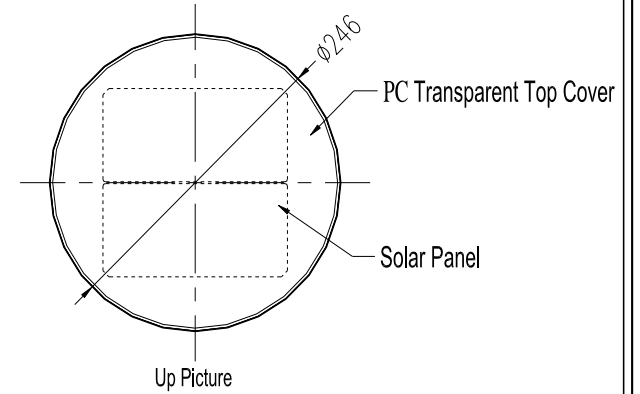
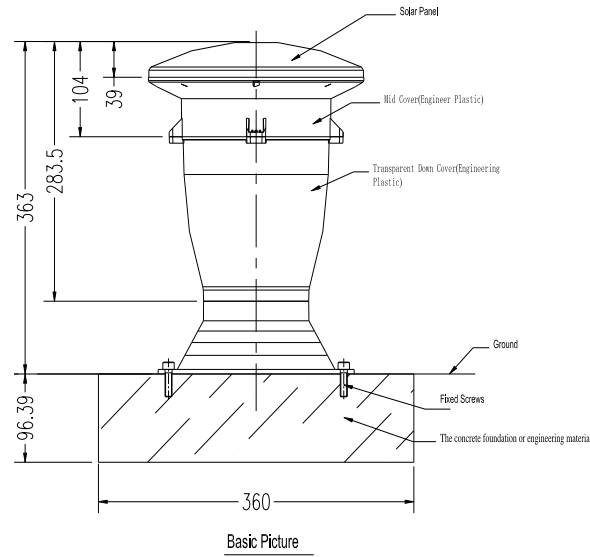


Company	Solar Lighting Inc.
Website	www.solarlightinginc.com
Email	ross@solarlightinginc.com



Function and Diameter

Item	Specification
Light Source	SMD LED,0.06W*12PCS 120±30Lux(WH)
LED Color	White Light
Power	Mono Solar Panel, 6.0V,383mA ,2.3W
Storage	Free Maintenance Li-Fe Battery, 3.2V, Capacity 1500Ah*2
Control	Constant Bright, auto light sensor control, automatically turns on at night
Charging	8-12 Hours (Under full Sun)
Lighting	12 Hours + (Under Fuly Chargedl Capacitor)
Operation Temperature	-20~+60 °C
Dimension	∅246X363 mm
Weight	2.0 kg
IP	IP65

Model No.

Solar Lantern

Color

Warm White/Cool White

Unit:

mm

